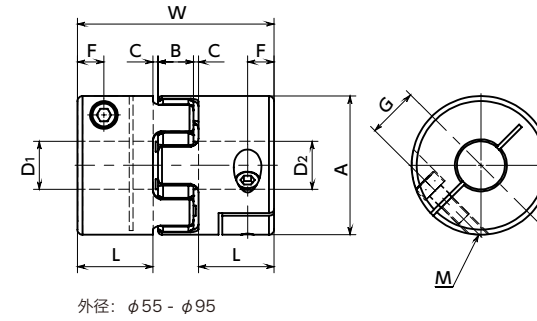
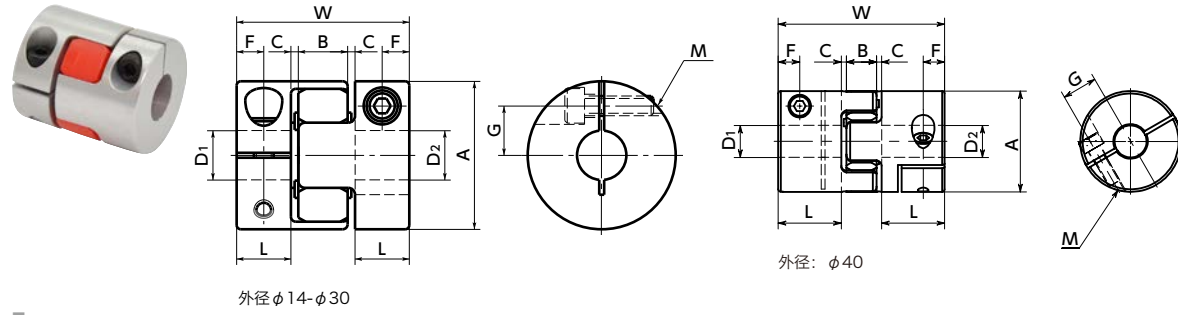
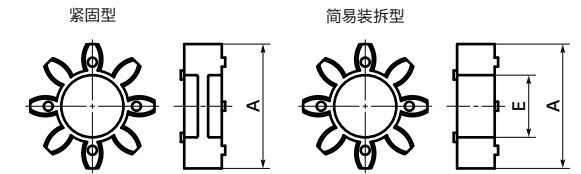


# MJC-CS 挠性联轴器 - 梅花型 - 夹紧型 型号变更 规格变更

高扭矩 减振 电绝缘性



### 弹性间隔体详图



### 环境温度、温度修正系数

环境温度	温度修正系数
-20°C~30°C	1.00
30°C~40°C	0.80
40°C~60°C	0.70

## 尺寸

单位: mm

型号	轴孔径	A	L	W	B	C*1	弹性间隔体 E	F	G	M	螺丝紧固扭矩 (N·m)
MJC-14CS	3 ≤ D ≤ 5	14	7	22	6	1	4	3.5	4	M2	0.5
	5 < D ≤ 7						5		5	M1.6	0.25
MJC-20CS	4 ≤ D ≤ 8	20	10	30	8	1	6	5	6.5	M2.5	1
	8 < D ≤ 11								7.5	M2	0.5
MJC-25CS	4 ≤ D ≤ 10	25	12	34	8	1	8	6	9	M3	1.5
	10 < D ≤ 12.7								9.5	M2.5	1
MJC-30CS	6 ≤ D ≤ 12	30	11	35	10	1.5	10	5.5	10	M4	3.5
	12 < D ≤ 16								11	M3	1.5
MJC-40CS	7.9375 ≤ D ≤ 20	40	25	66	12	2	17	8.5	14	M5	8
	20 < D ≤ 25								15.75	M4	3.5
MJC-55CS	9.525 ≤ D ≤ 28	55	30	78	14	2	26	10.5	20	M6	13
	28 < D ≤ 32								21	M5	8
MJC-65CS	12.7 ≤ D ≤ 32	65	35	90	15	2.5	29.5	13	24	M8	28
	32 < D ≤ 38.1								25	M6	13
MJC-80CS	19.05 ≤ D ≤ 42	80	45	114	18	3	35.5	15	30	M8	28
	42 < D ≤ 45								31		
MJC-95CS	25 ≤ D ≤ 48	95	50	126	20	3	44	18	34	M10	55
	48 < D ≤ 55								36		

\*1: 在使用时请一定留出C尺寸。

型号	标准轴孔径 D1 · D2																															
	3	4	4.5	5	6	6.35	7	8	9.525	10	11	12	14	15	16	18	19	20	22	24	25	28	30	32	35	38	40	42	45	48	50	55
MJC-14CS	●	●	●	●	●	●	●	●	●	●	●	●	●	●	●	●	●	●	●	●	●	●	●	●	●	●	●	●	●	●	●	●
MJC-20CS		●	●	●	●	●	●	●	●	●	●	●	●	●	●	●	●	●	●	●	●	●	●	●	●	●	●	●	●	●	●	●
MJC-25CS			●	●	●	●	●	●	●	●	●	●	●	●	●	●	●	●	●	●	●	●	●	●	●	●	●	●	●	●	●	●
MJC-30CS				●	●	●	●	●	●	●	●	●	●	●	●	●	●	●	●	●	●	●	●	●	●	●	●	●	●	●	●	●
MJC-40CS					●	●	●	●	●	●	●	●	●	●	●	●	●	●	●	●	●	●	●	●	●	●	●	●	●	●	●	●
MJC-55CS						●	●	●	●	●	●	●	●	●	●	●	●	●	●	●	●	●	●	●	●	●	●	●	●	●	●	●
MJC-65CS							●	●	●	●	●	●	●	●	●	●	●	●	●	●	●	●	●	●	●	●	●	●	●	●	●	●
MJC-80CS								●	●	●	●	●	●	●	●	●	●	●	●	●	●	●	●	●	●	●	●	●	●	●	●	●
MJC-95CS									●	●	●	●	●	●	●	●	●	●	●	●	●	●	●	●	●	●	●	●	●	●	●	●

型号	标准轴孔径 D1 · D2																					
	1/8	3/16	1/4	5/16	3/8	7/16	1/2	9/16	5/8	11/16	3/4	13/16	7/8	15/16	1	1-1/8	1-1/4	1-3/8	1-1/2	1-5/8	1-3/4	
MJC-14CS	●	●	●	●	●	●	●	●	●	●	●	●	●	●	●	●	●	●	●	●	●	●
MJC-20CS		●	●	●	●	●	●	●	●	●	●	●	●	●	●	●	●	●	●	●	●	●
MJC-25CS			●	●	●	●	●	●	●	●	●	●	●	●	●	●	●	●	●	●	●	●
MJC-30CS				●	●	●	●	●	●	●	●	●	●	●	●	●	●	●	●	●	●	●
MJC-40CS					●	●	●	●	●	●	●	●	●	●	●	●	●	●	●	●	●	●
MJC-55CS						●	●	●	●	●	●	●	●	●	●	●	●	●	●	●	●	●
MJC-65CS							●	●	●	●	●	●	●	●	●	●	●	●	●	●	●	●
MJC-80CS								●	●	●	●	●	●	●	●	●	●	●	●	●	●	●
MJC-95CS									●	●	●	●	●	●	●	●	●	●	●	●	●	●

- 所有产品均附带内六角螺栓。
- 适用轴径的推荐尺寸容许偏差为h6及h7。
- 也承接1个轴套是夹紧型、另1个轴套是定位螺丝固定型等组合的订货。
- 安装到D型切口轴时，请注意轴的D型切口面的位置。→ P.xxxx
- 轴插入联轴器中的量请参阅安装与维护说明。→ P.xxxx

轴孔·键槽加工 → P.xxxx    无尘洗净·无尘包装 → P.xxxx    变更为不锈钢螺丝 → P.xxxx

## 性能

型号	弹性间隔体		最大轴孔径 (mm)	额定*1 扭矩 (N·m)	最大*1 扭矩 (N·m)	零背隙*3 容许传递扭矩 (N·m)	最高转速 (min <sup>-1</sup> )	惯性*2 力矩 (kg·m <sup>2</sup> )	静态扭转刚性 (N·m/rad)	容许偏心 (°)	容许角偏 (°)	容许轴向偏差 (mm)	质量*2 (g)	弹性间隔体硬度 (JIS)
	紧固型	简易装拆型												
MJC-14CS	BL	EBL	7	0.7	1.4	0.1	45000	1.9 × 10 <sup>-7</sup>	8	0.15	1	+0.6 0	6.2	A80
MJC-20CS	BL	EBL	11	1.8	3.6	0.2	31000	1.0 × 10 <sup>-6</sup>	16	0.2	1	+0.8 0	16	
MJC-25CS	BL	EBL	12.7	3	6	0.4	25000	3.2 × 10 <sup>-6</sup>	32	0.2	1	+0.9 0	34	
MJC-30CS	BL	EBL	16	4	8	0.5	21000	6.0 × 10 <sup>-6</sup>	46	0.2	1	+1.0 0	42	
MJC-40CS	BL	EBL	25	4.9	9.8	1.2	15000	3.6 × 10 <sup>-5</sup>	380	0.15	1	+1.2 0	130	
MJC-55CS	BL	EBL	32	17	34		11000	1.6 × 10 <sup>-4</sup>	1400	0.2	1	+1.4 0	310	
MJC-65CS	BL	EBL	38.1	46	92		9000	3.5 × 10 <sup>-4</sup>	2800	0.2	1	+1.5 0	500	
MJC-80CS	BL	EBL	45	95	190		7000	1.0 × 10 <sup>-3</sup>	3200	0.2	1	+1.8 0	1000	
MJC-95CS	BL	EBL	55	130	260		6000	2.3 × 10 <sup>-3</sup>	3600	0.2	1	+2.0 0	1600	
MJC-14CS	WH	EWH	7	1.2	2.4	0.1	45000	1.9 × 10 <sup>-7</sup>	14	0.1	1	+0.6 0	6.2	A92
MJC-20CS	WH	EWH	11	3	6	0.2	31000	1.0 × 10 <sup>-6</sup>	29	0.15	1	+0.8 0	16	
MJC-25CS	WH	EWH	12.7	5	10	0.4	25000	3.2 × 10 <sup>-6</sup>	60	0.15	1	+0.9 0	34	
MJC-30CS	WH	EWH	16	7.5	15	0.5	21000	6.0 × 10 <sup>-6</sup>	73	0.15	1	+1.0 0	42	
MJC-40CS	WH	EWH	25	10	20	1.2	15000	3.6 × 10 <sup>-5</sup>	570	0.1	1	+1.2 0	130	
MJC-55CS	WH	EWH	32	35	70		11000	1.6 × 10 <sup>-4</sup>	1600	0.15	1	+1.4 0	310	
MJC-65CS	WH	EWH	38.1	95	190		9000	3.5 × 10 <sup>-4</sup>	3000	0.15	1	+1.5 0	500	
MJC-80CS	WH	EWH	45	190	380		7000	1.0 × 10 <sup>-3</sup>	5300	0.15	1	+1.8 0	1000	
MJC-95CS	WH	EWH	55	265	530		6000	2.3 × 10 <sup>-3</sup>	6200	0.15	1	+2.0 0	1600	
MJC-14CS	RD	ERD	7	2	4	0.1	45000	1.9 × 10 <sup>-7</sup>	22	0.1	1	+0.6 0	6.2	A98
MJC-20CS	RD	ERD	11	5	10	0.2	31000	1.0 × 10 <sup>-6</sup>	55	0.1	1	+0.8 0	16	
MJC-25CS	RD	ERD	12.7	7.2	14.4	0.4	25000	3.2 × 10 <sup>-6</sup>	120	0.1	1	+0.9 0	34	
MJC-30CS	RD	ERD	16	12.5	25	0.5	21000	6.0 × 10 <sup>-6</sup>	130	0.1	1	+1.0 0	42	
MJC-40CS	RD	ERD	25	17	34	1.2	15000	3.6 × 10 <sup>-5</sup>	1200	0.1	1	+1.2 0	130	
MJC-55CS	RD	ERD	32	60	120		11000	1.6 × 10 <sup>-4</sup>	2600	0.1	1	+1.4 0	310	
MJC-65CS	RD	ERD	38.1	160	320		9000	3.5 × 10 <sup>-4</sup>	4900	0.1	1	+1.5 0	500	
MJC-80CS	RD	ERD	45	325	650		7000	1.0 × 10 <sup>-3</sup>	6500	0.1	1	+1.8 0	1000	
MJC-95CS	RD	ERD	55	450	900		6000	2.3 × 10 <sup>-3</sup>	8900	0.1	1	+2.0 0	1600	
MJC-14CS	GR	EGR	7	2.4	4.8	0.1	45000	1.9 × 10 <sup>-7</sup>	66	0.08	1	+0.6 0	6.2	D64
MJC-20CS	GR	EGR	11	6	12	0.2	31000	1.0 × 10 <sup>-6</sup>	87	0.08	1	+0.8 0	16	
MJC-25CS	GR	EGR	12.7	9.6	19.2	0.4	25000	3.2 × 10 <sup>-6</sup>	160	0.08	1	+0.9 0	34	
MJC-30CS	GR	EGR	16	16	32	0.5	21000	6.0 × 10 <sup>-6</sup>	200	0.08	1	+1.0 0	42	
MJC-40CS	GR	EGR	25	21	42	1.2	15000	3.6 × 10 <sup>-5</sup>	3000	0.08	1	+1.2 0	130	
MJC-55CS	GR	EGR	32	75	150		11000	1.6 × 10 <sup>-4</sup>	9000	0.08	1	+1.4 0	310	
MJC-65CS	GR	EGR	38.1	200	400		9000	3.5 × 10 <sup>-4</sup>	13000	0.08	1	+1.5 0	500	
MJC-80CS	GR	EGR	45	405	810		7000	1.0 × 10 <sup>-3</sup>	14000	0.08	1	+1.8 0	1000	
MJC-95CS	GR	EGR	55	560	1120		6000	2.3 × 10 <sup>-3</sup>	15000	0.08	1	+2.0 0	1600	

\*1: 无需根据负荷变化修正额定扭矩和最大扭矩。但环境温度高于30°C时，请依据表中的温度修正系数调整额定扭矩及最大扭矩。MJC-CS的可温度为-20°C~60°C。

\*2: 最大轴孔径时的值。

\*3: 传递零背隙扭矩时，请使用紧固型弹性间隔体。